



Industrial Filtration

Quick Change Series Cartridge Filter Housings Nowata 1NB Series Cartridge Housing

V-Clamp, Band Closure with Working Pressure to 750 PSI
Stainless Steel Construction for Industrial and Commercial Filtration

1. Features

The Nowata 1NB Series, Quick Change, cartridge filter housings are available in 1, 2 or 3 cartridge size models. These low cost, high quality filters are designed for industrial and commercial service and are ideal for many high pressure applications. The cast head mounts directly in the flow line, while the stainless steel filter body may be mounted in any position. Fluid enters one side of the head and is channeled to the area around the cartridges. The fluid or gas passes through the cartridge into the center and out the other side of the head. The filter body is sealed to the head by a V-clamp, band type closure. As the V-clamp is tightened, the body and cartridge are firmly sealed against the head and o-ring. When changing the cartridge element, the pressure is released before the housing body is removed, by loosening the V-clamp closure. Each model has a 1/4 inch internal pipe thread drain in the bottom of the body.



Standard Design

- V-Clamp Band style closure eliminates the need for wrenches or tools.
- Working Pressure to 750 PSI.
- Stainless Steel Construction Standard.
- 1" FNPT in-line style, Inlet and Outlet connections allow maximum flow rates at a low pressure drop.
- Standard 1/4" FNPT body drain fitting allows draining or pressure relief.
- This housing comes with one, 25 micron, Nowata NP Series Cartridge installed.
- Designed for Double Open-End Style Cartridges (222 Style Cartridge Adapter also Available).
- Pressure Release Safety Feature.
- Buna O-Ring Seals are Standard (other materials are available).
- Knife Edge Seal Top and Bottom.
- Non-Code Only.
- Spring Loaded Bottom Seal.
- In-Line Style Inlet and Outlet.



2. Standard Construction for the Nowata 1NB Cartridge Housing

The Nowata 1NB Series Cartridge Housing has a stainless cast head with 1 inch, in-line, internal pipe thread inlet and outlet connections. The tubular body is also made of stainless steel. The head and body are held together by a V-clamp style closure. As the V-clamp is tightened, the body is sealed firmly to the head. The V-clamp eliminates the need for wrenches or tools. The cartridge is sealed in place as

the V-clamp handle is tightened. A Buna O-Ring seals the body and head. All wetted parts of the 1NB Series are stainless steel. A knife edged seal on the center rod creates both a positive cartridge seal and a contaminant sump area. All 1NB models include one installed cartridge element. The 1NB Series housings are not available with a code stamp due to the use of the V-clamp closure.

3. Dimensional Information

1NB MODEL	A	B (1)	Cartridge Size	Inlet/ Outlet Size (2)
1 Cartridge Size Model	15	13-15/16	9-3/4 or 10	1 inch
2 Cartridge Size Model	25	23-15/16	19-1/2 or 20	1 inch
3 Cartridge Size Model	35	33-15/16	29-1/4 or 30	1 inch

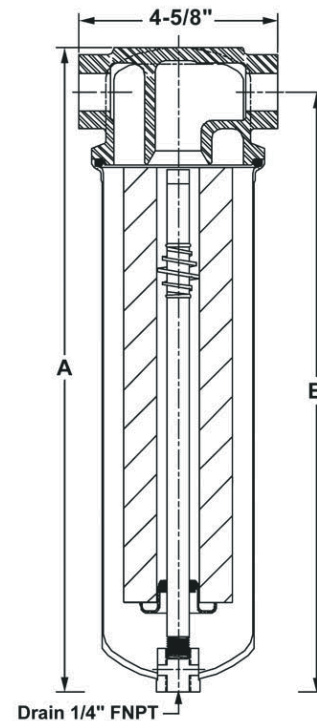
Dimensions shown in inches unless otherwise noted.

Due to our continuing program of product improvement, specifications are for reference only and subject to change without notice. Dimensions are approximate values and not intended for piping specifications.

NOTES:

- (1) Additional clearance required to remove housing body for cartridge change-out.
- (2) FNPT internal pipe thread Inlet and Outlet connection size.

Consult your local authorized Nowata distributor for sizing assistance.



4. Typical Model Number

1N	B	3	S	U	N	75	N	1	N	T	
1N Series	Closure Type	Cartridge Size	Internal Style	Vessel Material	Non-Code	Pressure Rating	Inlet/ Outlet Style	Inlet/ Outlet Size	Seal Material	Bottom Drain Size	Special Options

MAHLE Industrial Filtration USA, Inc.
 428 N. Elm, PO. Box 678
 Nowata, OK 74048 USA
 Phone: 800-259-2204
 Fax: 918-273-2101
 mahle.nowata@us.mahle.com
 www.mahle-industrialfiltration.com
 www.nowata.com
 08/2010