

Quick Change Series Cartridge Filter Housings Nowata 1NT Series Cartridge Housing

T-Handle Closure with Working Pressure to 250 PSI
Stainless Steel Construction for Industrial and Commercial Filtration

1. Features

The Nowata 1NT Series, Quick Change, Cartridge Filter Housings are available in 1, 2 or 3 cartridge size models. These low cost, high quality filters are designed for industrial and commercial service and are ideal for many low pressure applications.

The 1NT Series Cartridge Filter Housing has a cast head which mounts directly in the flow line. The filter may be mounted in any position. Fluid enters one side of the head, marked "IN", and is channeled to the area around the cartridges. The body is sealed to the head by a fixed rigid center rod and T-handle closure nut. The T-handle closure is the key feature that allows cartridges to be replaced quickly and easily. As the T-handle is tightened, the body and cartridge are firmly sealed against the head and o-ring. When changing the cartridge, the pressure is released before the housing body is removed, by loosening the T-handle closure.

Standard Design

- T-handle style closure eliminates the need for wrenches or tools.
- Working pressure to 250 PSI.
- Stainless Steel construction is standard.
- 1" FNPT in-line style, Inlet and Outlet connections allow maximum flow rates at a low pressure drop.
- Standard 1/4" FNPT body drain fitting allows draining or pressure relief.
- This housing comes with one, 25 micron, Nowata NP Series Cartridge installed.
- Designed for double open-end style cartridges.
- Pressure release safety feature.
- Buna o-ring seals are standard (other materials are available).
- Knife edge seal top and bottom.
- Non-code only.
- Spring loaded bottom seal.



2. Standard Construction for the Nowata 1NT Cartridge Housing

The Nowata 1NT Series Cartridge Housing has a stainless cast head with 1 inch, in-line, internal pipe thread inlet and outlet connections. The tubular body is also made of stainless steel. The head and body are pulled together by a T-handle nut threaded to a rigid, fixed center rod which is an integral part of the body. As the T-handle is turned, the body is sealed firmly to the head. The T-handle eliminates the

need for wrenches or tools. The cartridge is sealed in place as the T-handle is tightened. A Buna o-ring seals between the T-handle nut and head. All wetted parts of the "1NT" Series are stainless steel. A knife edged seal on the center rod creates both a positive cartridge seal and a contaminant sump area. All 1NT housing models include one installed cartridge.

3. Dimensional Information

1NT MODEL	A	B (1)	Cartridge Size	Inlet/ Outlet Size (2)
1 Cartridge Size Model	16-1/4	13-15/16	9-3/4 or 10	1 inch
2 Cartridge Size Model	26-1/4	23-15/16	19-1/2 or 20	1 inch
3 Cartridge Size Model	36-1/4	33-15/16	29-1/4 or 30	1 inch

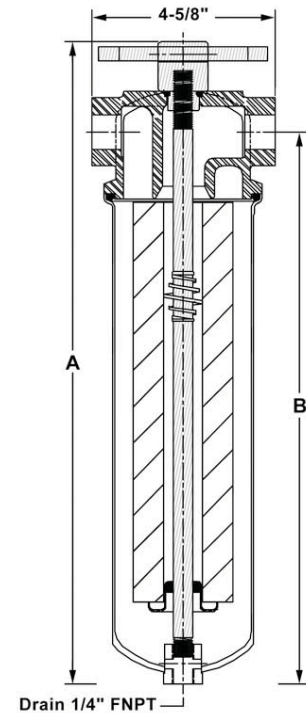
Dimensions shown in inches unless otherwise noted.

Due to our continuing program of product improvement, specifications are for reference only and subject to change without notice. Dimensions are approximate values and not intended for piping specifications.

NOTES:

- (1) Additional clearance required to remove housing body for cartridge change-out.
- (2) FNPT internal pipe thread Inlet and Outlet connection size.

Consult your local authorized Nowata distributor for sizing assistance.



4. Typical Model Number

1N	T	3	S	U	N	25	N	1	N	T
1N Series	Closure Type	Cartridge Size	Internal Style	Vessel Material	Non-Code	Pressure Rating	Inlet/Outlet Style	Inlet/Outlet Size	Seal Material	Bottom Drain Size

MAHLE Industrial Filtration USA, Inc.
 428 N. Elm, PO. Box 678
 Nowata, OK 74048 USA
 Phone: 800-259-2204
 Fax: 918-273-2101
 mahle.nowata@us.mahle.com
 www.mahle-industrialfiltration.com
 www.nowata.com
 08/2010