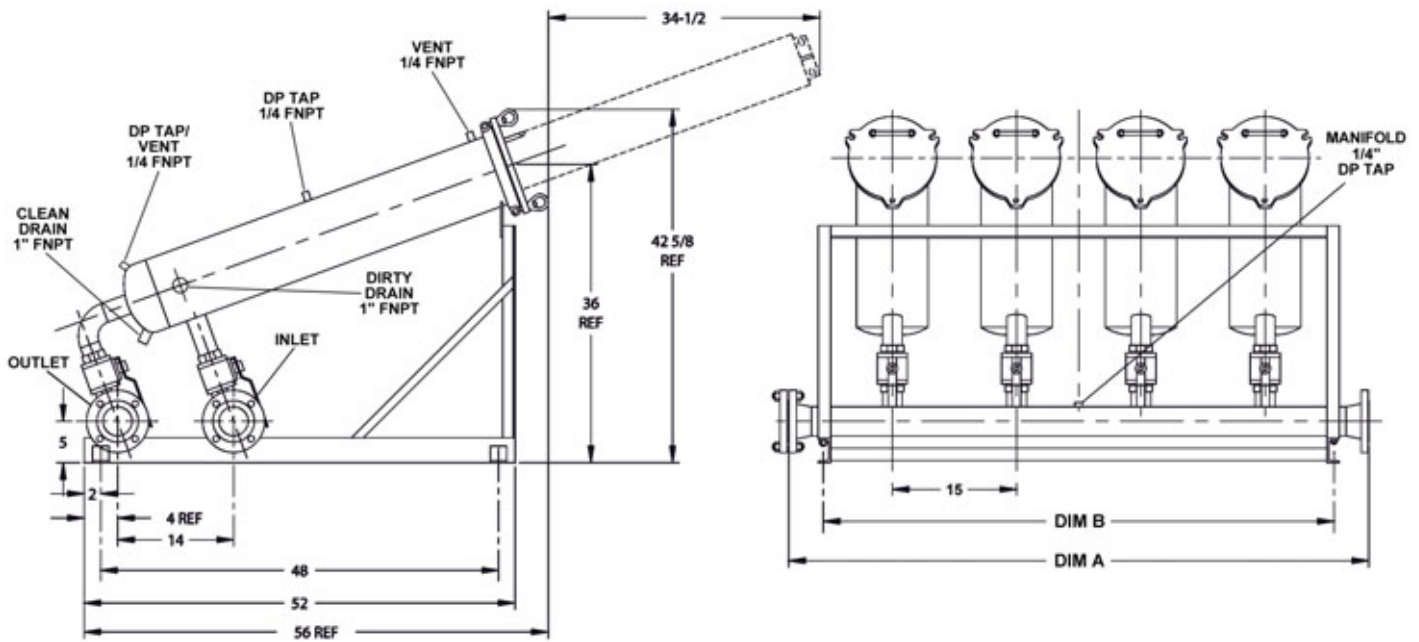




# Dimensional Info for High Flow *MULTI-PLEX* Cartridge Housing



Number of Vessels	Manifold Inlet	Manifold Outlet	A	B
2 Plex	3 150#	3 150#	40	31-5/8
3 Plex	3 150#	3 150#	55	46-5/8
4 Plex	4 150#	4 150#	70	61-5/8

**Maximum Pressure:** 150 psi - 10 or 20 bars  
**Pressure Tested To:** 195 psi or 390 psi - 13.4 or 26.9 bars  
**Maximum Temperature:** 220°F (104°C)  
 Dimensions Shown in Inches.

Due to our continuing program of product improvement, specifications are for reference only and subject to change without notice.

## Construction Notes

### Standard Construction Material

#### Carbon Steel

Sand blasted with painted enamel exterior.

#### 316 Stainless Steel Wetted

Except the following non-wetted parts which are made of Carbon Steel:

- Grey Zinc Plated Bolts and Nuts
- Mounting Skid Assembly
- Other Construction Materials Available by Special Request

### O-Ring Options

The following O-Ring options are available for the High Flow Multi-Cartridge Vertical Housings:

- Viton (standard)
- EPDM
- Buna
- PTFE Encapsulated Viton
- PTFE Encapsulated Silicone
- Other Materials by Special Order

The Nowata Filtration H Series, High Flow, *MULTI-PLEX* Cartridge Housing can be customized to meet your special needs. Typical options include inlet/outlet valves, vent valves, drain valves, system pressure gauges, differential pressure gauge, stress relief, 316 Stainless Steel, or other materials available.

## Typical Part Number

H	P	U	2	Q	C	15	W	3	V
High Flow Series	Vessel Orientation	Material	Number of Elements	Cartridge Length	ASME Code	Pressure Rating	Connection Type	Manifold Size	O-Ring Material