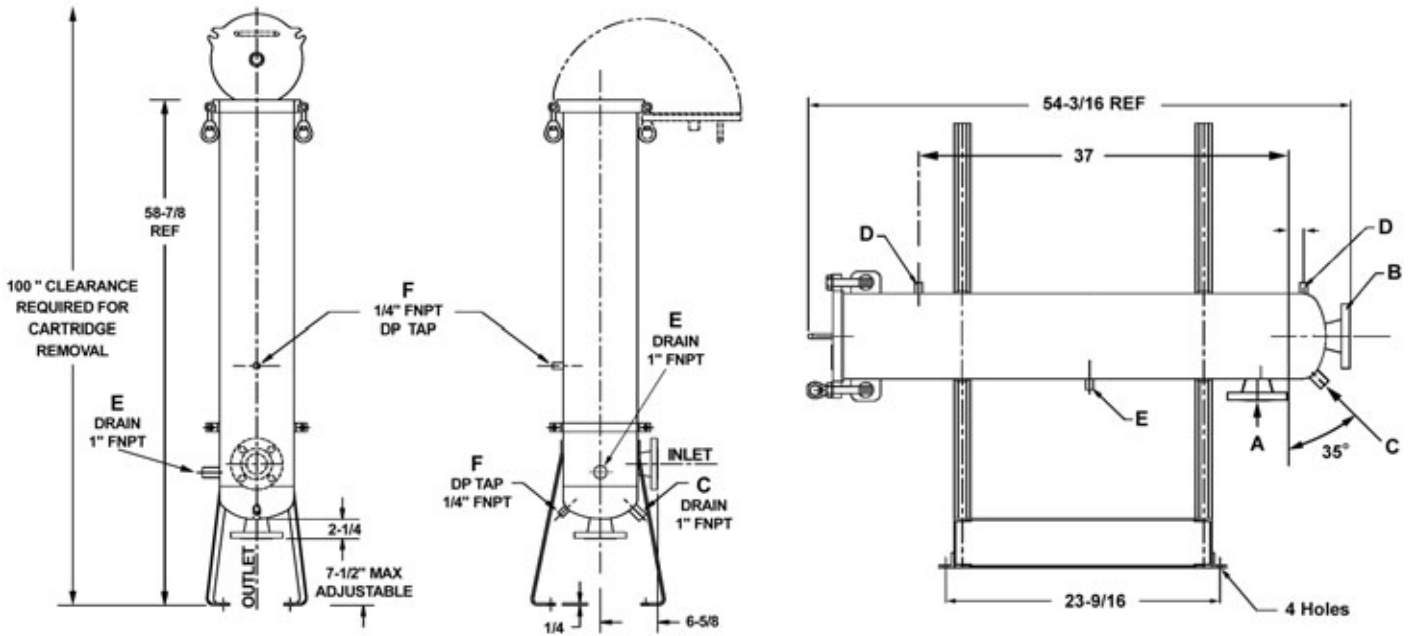




# Dimensional Info for High Flow Adjustable Single Cartridge Housings



Dimensions Shown in Inches.

Configuration	A Inlet	B Outlet	C Clean Drain	D Vent	E Dirty Drain	F D.P. Tap
Horizontal	2 150#	2 150#	1 FNPT	1/4 FNPT	1 FNPT	1/4 FNPT
Vertical	2 150#	2 150#	1 FNPT	1/4 FNPT	1 FNPT	1/4 FNPT

**Maximum Pressure:** 150 psi - 10 or 20 bars

**Pressure Tested To:** 195 psi or 390 psi - 13.4 or 26.9 bars

**Maximum Temperature:** 220°F (104°C)

Due to our continuing program of product improvement, specifications are for reference only and subject to change without notice.

## Construction Notes

### Standard Construction Material

#### Carbon Steel

Sand blasted with painted enamel exterior.

#### 316 Stainless Steel

Except the following non-wetted parts which are made of Carbon Steel:

- Grey Zinc Plated Bolts and Nuts
- Leg Assembly
- Other Construction Materials by Request

### O-Ring Options

The following O-Ring options are available for the High Flow Single Cartridge Housings:

- Viton (standard)
- EPDM
- Buna
- PTFE Encapsulated Viton
- PTFE Encapsulated Silicone
- Other Materials by Special Order

## Typical Part Number

H	H	U	1	Q	C	15	W	2	V
High Flow Series	Vessel Orientation	Material	Number of Elements	Cartridge Length	ASME Code	Pressure Rating	Connection Type	Connection Size	O-Ring Material