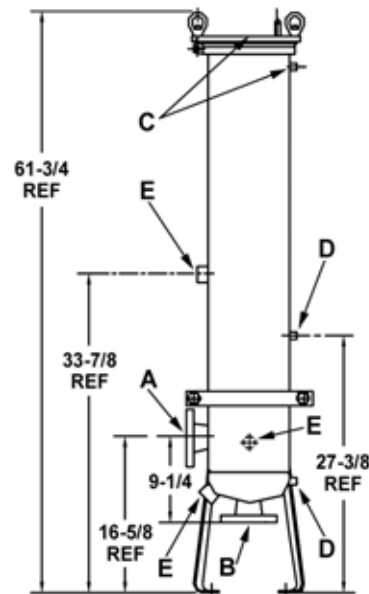
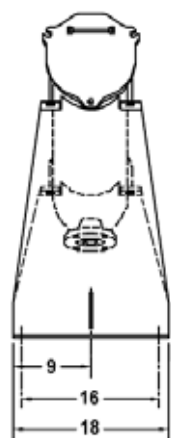
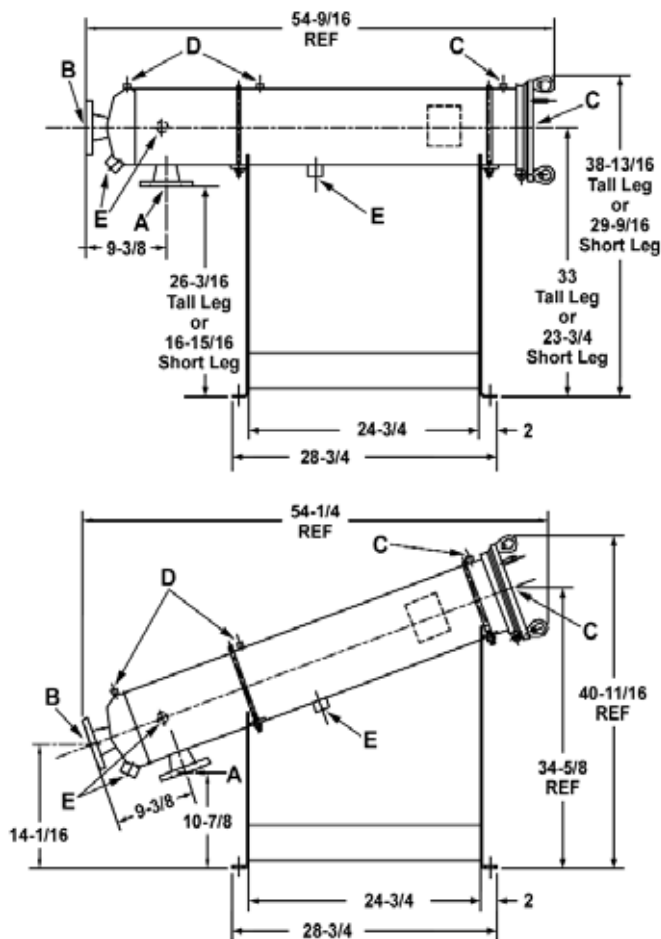




# Dimensional Info for High Flow *Single Universal Mount* Housings



**Maximum Pressure:** 150 psi - 10.3 bars

**Maximum Temperature:** 220°F (104°C)

**Pressure Tested To:** 195 psi - 13.4 bars

Dimensions Shown in Inches.

Configuration	A Inlet	B Outlet	C Vent	D D.P. Tap	E Drain
Horizontal	2" 150#	2" 150#	1/4" FNPT	1/4" FNPT	1" FNPT
Vertical	2" 150#	2" 150#	1/4" FNPT	1/4" FNPT	1" FNPT
Angled	2" 150#	2" 150#	1/4" FNPT	1/4" FNPT	1" FNPT

Due to our continuing program of product improvement, specifications are for reference only and subject to change without notice.

## Construction Notes

### Standard Construction Material

#### Carbon Steel

Sand blasted and painted enamel exterior.

#### 316 Stainless Steel

Except the following non-wetted parts which are made of Carbon Steel:

- Grey Zinc Plated Bolts and Nuts
- Leg Assembly
- Other Construction Materials by Request

### O-Ring Options

The following O-Ring options are available for the High Flow Single *Universal Mount* Cartridge Housings:

- Viton (standard)
- EPDM
- Buna
- PTFE Encapsulated Silicone
- Other Materials by Special Order

## Typical Part Number

H	V	U	1	Q	C	15	W	2	V
High Flow Series	Vessel Orientation	Material	Number of Elements	Cartridge Length	ASME Code	Pressure Rating	Connection Type	Connection Size	O-Ring Material