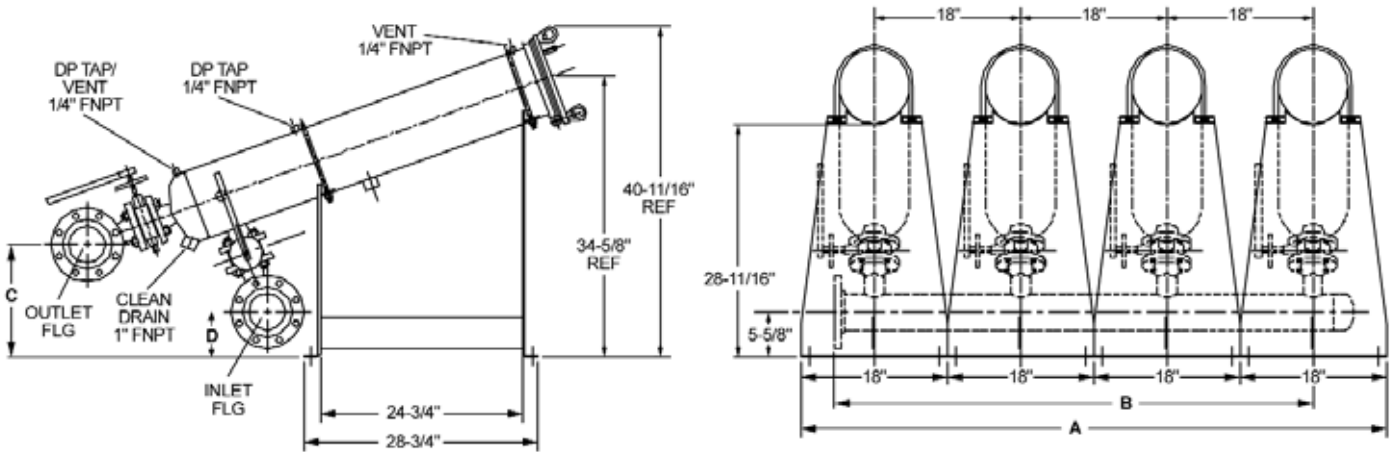


Dimensional Info for High Flow *Universal Plex* Housings



Number of Vessels	Manifold Inlet	Manifold Outlet	A	B	C	D
2 Plex	2 150#	2 150#	36	18	13-7/8 Ref.	5-5/8 Ref.
3 Plex	3 150#	3 150#	54	36	13-7/8 Ref.	5-5/8 Ref.
4 Plex	4 150#	4 150#	72	54	13-7/8 Ref.	5-5/8 Ref.

Maximum Pressure: 150 psi - 10 bars
Maximum Temperature: 220°F (104°C)
Pressure Tested To: 195 psi or 13.4 bars
 Dimensions Shown in Inches.

Due to our continuing program of product improvement, specifications are for reference only and subject to change without notice.

Construction Notes

Standard Construction Material

Carbon Steel

Sand blasted and painted enamel exterior.

316 Stainless Steel Wetted

Except the following non-wetted parts which are made of Carbon Steel:

- Grey Zinc Plated Bolts and Nuts
- Mounting Skid Assembly
- Other Construction Materials Available by Special Request

O-Ring Options

The following O-Ring options are available for the High Flow *Universal Plex* Cartridge Housings:

- Viton (standard)
- EPDM
- Buna
- PTFE Encapsulated Viton
- PTFE Encapsulated Silicone
- Other Materials by Special Order

The Nowata Filtration, High Flow, H Series, *Universal Plex* Cartridge Housings can be customized to meet your special needs. Typical options include inlet/outlet valves, vent valves, drain valves, system pressure gauges, differential pressure gauge, stress relief, 316 Stainless Steel, or other materials available.

Typical Part Number

HD	N	U	4	U	4	1	W	15	V
Series	Inlet Location	Material	Number of Housings	ASME Code	Manifold Inlet / Outlet Size	Valves	Inlet / Outlet Header Style	Pressure Rating	O-Ring Material