

RNC Series

Cartridge Filter Housings

RNC Series Key Features

- Accepts SOE flat closed end, SOE fin closed end or DOE style filter cartridges.
- Accepts Seven, 10", 20", 30", or 40" cartridges allowing for a broad range of flow rates.
- 7 around design provides longer cartridge life with lower pressure drop.
- V-Clamp closure allows quick, easy cartridge changeout.
- 316 Stainless Steel material of construction for maximum corrosion resistance. 304 Stainless Steel also available.
- Maximum operating pressure 150 psig (10.3 bar) @ 77°F (25°C) (Only for liquid service, not suitable for compressed natural gas).
- EPDM O-Ring is standard. Other options are available.
- 150# ANSI raised face Inlet and Outlet connections are standard.
- 2" MPT standard Inlet and Outlet.
- 1/4" NPT Vent and 3/4" MPT Drain.
- Standard Finish: Mechanical Polish.
- Optional Feature: Electropolished Finish.



RNC Series Cartridge Filter Housing Construction Features

Designed for a broad range of filtration applications, the Nowata RNC Series Cartridge Filter Housings are multi-purpose, high flow, 150 PSI filter vessels for general industrial service. These versatile housings accept 10, 20, 30 or 40 inch long cartridges which permit multiple options for housing flow rates. Each housing is built with the same commitment to quality that has made Nowata Filtration a

leader in the filtration industry. All RNC Series filter housings are designed for non-code service. The RNC Series Cartridge Filter Housings are designed for use in many industrial applications including, food, water, beverage, power generation and general industrial uses. Contact Nowata Filtration or your local Nowata Filtration Representative for assistance with your application.

Growing Strong Since 1907
Box 678, Nowata, OK 74048
918-273-2204
800-259-2204
Fax: 918-273-2101
www.nowata.com
Email: mahle.nowata@us.mahle.com



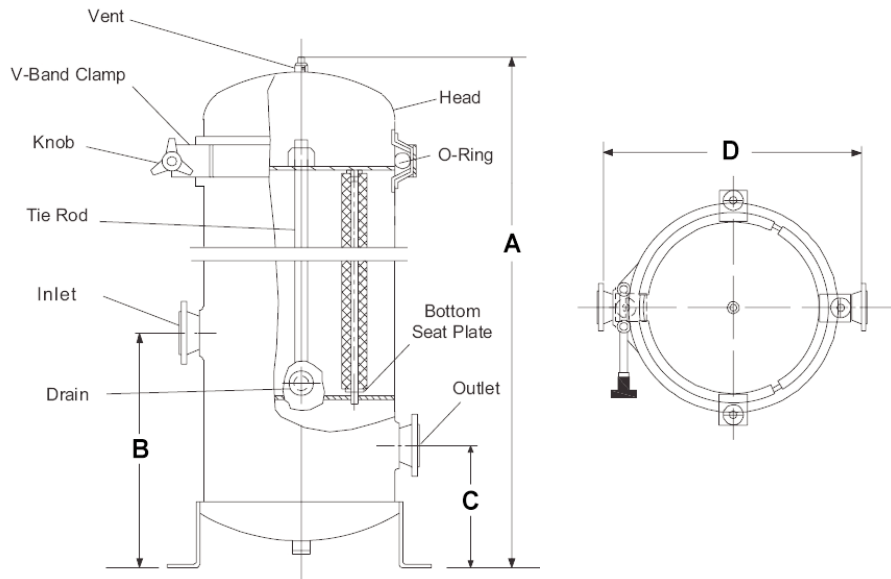
Division of MAHLE Industrial Filtration

RNC Series Cartridge Housing Dimensional Information

| Model Number | Liquid Flow Rate (GPM) ⁽¹⁾ | DIMENSIONS (INCHES) | | | | Maximum Cartridge Diameter | Approx. Weight (lbs) | Overhead Clearance Required for Cartridge Removal |
|--------------|---------------------------------------|---------------------|--------|-------|--------|----------------------------|----------------------|---|
| | | A | B | C | D | | | |
| RNC7 | to 35 | 23.25" | 11.19" | 5.08" | 12.69" | 2.75" | 31 | 30" |
| RNC14 | to 70 | 33.25" | 11.19" | 5.08" | 12.69" | 2.75" | 40 | 50" |
| RNC21 | to 100 | 43.25" | 11.19" | 5.08" | 12.69" | 2.75" | 49 | 70" |
| RNC28 | to 100 | 53.25" | 11.19" | 5.08" | 12.69" | 2.75" | 55 | 90" |

Due to our continuing program of product improvement, specifications are for reference only and subject to change without notice. Dimensions shown in Inches. Dimensions are approximate values and are not intended for piping specifications.

(1) Flow rate is dependent upon fluid viscosity and allowable pressure drop. Consult your local authorized Nowata Filtration distributor for sizing assistance.



RNC Series Typical Housing Model Number

| RNC | 14 | S | 4 | 15 | 2 | N | E | EP |
|-----------------------|------------------------------|--------------------------|--|----------------|------------------------------|-----------------------|--|--------------------|
| Housing Model Series | No. of 10" Equiv. Per Column | Material of Construction | Cartridge Length (inches) | Pressure (PSI) | Inlet/Outlet Connection Size | Connection Style | O-Ring Material | Options |
| RNC Cartridge Housing | 7 14 21 28 | A = 304SS S = 316SS | 1 = 10" 2 = 20" 3 = 30" 4 = 40" | 15 = 150 PSI | 2 = 2" | N = MPT F = Flange | E = EPDM (STANDARD) S = Silicone N = Nitrile | EP = Electropolish |

800-259-2204
918-273-2204
Fax: 918-273-2101
Box 678, Nowata, OK 74048
www.nowata.com
Email: mahle.nowata@us.mahle.com



Division of MAHLE Industrial Filtration

NOWATA, PROGUARD and Trapper are registered trademarks of NMW, Inc. a division of MAHLE, Inc.